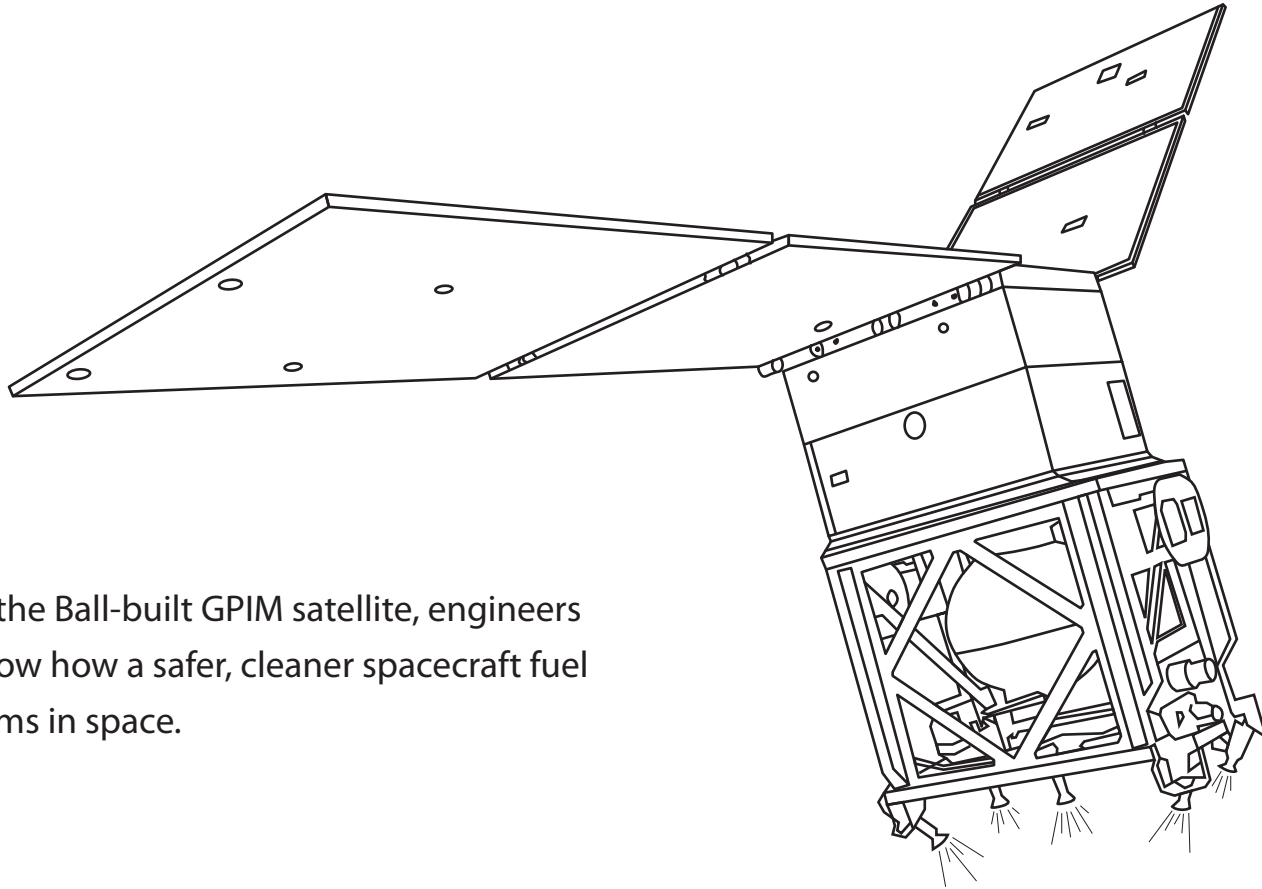


GREEN PROPELLANT INFUSION MISSION



Using the Ball-built GPIM satellite, engineers will show how a safer, cleaner spacecraft fuel performs in space.

